

LF Series

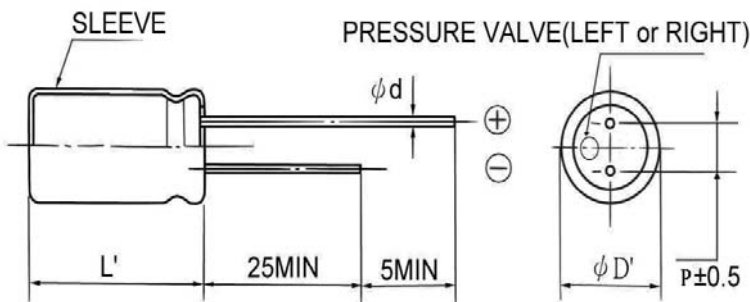
- High Ripple Current, Long Life and small volume.
- Endurance: 105°C 5000 hours.
- Have characteristics of withstanding high temperature 105°C and good reliability.
- Notebook adapter and the LED monitor power, etc.



◆ SPECIFICATIONS

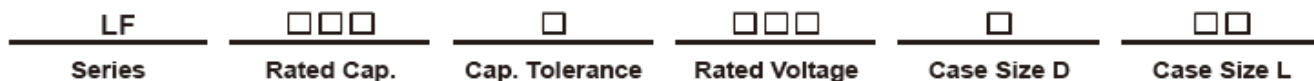
Item	Characteristics										
Temperature Range	-25 to +105°C										
Rated Voltage Range	200 to 450 WV.DC										
Surge Voltage	W.V.	200	250	350	400	420	450	at 25°C			
	S.V.	250	280	400	450	480	500				
Capacitance Tolerance	- 20%(M) ~ + 20% (at 25 °C, 120Hz)										
Leakage Current	I = 0.01CV, whichever is greater. at 25 °C After 1 minutes I: Max. Leakage Current (μA) C: Rated Capacitance (μF) V: Rated voltage (V)										
Dissipation Factor (tanδ)	Rated voltage (V)	200	250	350	400	420	450	at 25 °C, 120Hz			
	Tanδ(Max)	15	15	20	20	25	25				
Low Temperature Characteristics	Impedance ratio at 120Hz										
	Rated voltage (V)	200		250		350		400		420	
	Z-25°C/Z+20°C	3		3		6		8		8	
Endurance	The following specification shall be satisfied when the capacitors are restored to 20 °C after subjected DC voltage with the rated ripple current is applied for 5000 hours at 105 °C.										
	Capacitance Change	≅ ±20% of the initial value									
	Dissipation Factor	≅ 200% of the initial specified value									
	Leakage Current	≅ initial specified value									
Shelf Life	The following specification shall be satisfied when the capacitors are restored to 20 °C after exposing them for 2000hours at 105 °C without voltage applied. (Reference JIS C 5102)										
	Capacitance Change	≅ ±20% of the initial value									
	Dissipation Factor	≅ 200% of the initial specified value									
	Leakage Current	≅ 200% of the initial specified value									

◆ DRAWING



ψD	8	9.2	10	11~13	15-18
ψd	0.6		0.6	0.8	0.8
F	3.5	4.2	3.5	5.3	7.5
ψD'	D + 0.5 max			D + 1.0 max	
L'	L + 1.5 max			L + 2.0 ma	

◆ PART NUMBERING SYSTEM



Aluminum Electrolytic Capacitors



LF Series

FREQUENCY COEFFICIENT OF RATED RIPPLE CURRENT

UF	120Hz	1KHz	10KHz	100KHz~
12-22	0.30	0.60	0.90	1.00
33-82	0.40	0.70	0.90	1.00
100-330	0.45	0.75	0.90	1.00

STANDARD RATINGS

WV uF	200WV																	
	φ8	R.C.	φ9.2	R.C.	φ10	R.C.	φ11	R.C.	φ12	R.C.	φ12.5	R.C.	φ13	R.C.	φ15	R.C.	φ16	R.C.
33	25	240																
47	35	330	30	320														
56	40	380	35	360	25	370												
68	45	435	40	415	30	400	25	390										
82	55	500	45	480	35	470	30	390										
100			55	585	40	580	35	570	30	555	28	550						
120					55	620	40	610	35	600	30	500	28	495				
150							45	670	40	660	36	660	35	650				
180							55	710	45	700	42	690	40	690	32	680	25	680
220									55	810	50	810	45	800	38	780	32	780
270											55	920	50	920	45	910	37	900
330													55	1030	53	1000	45	980
390															55	1160	50	1100

WV uF	400WV																	
	φ8	R.C.	φ9.2	R.C.	φ10	R.C.	φ11	R.C.	φ12	R.C.	φ12.5	R.C.	φ13	R.C.	φ15	R.C.	φ16	R.C.
12	21	140																
15	25	170																
22	32	220	28	220	22	210												
27	38	255	32		25													
33	45	280	38	275	30	260	25	255										
39	50	330	45	320	38	310	28	300										
47	55	430	50	420	45	410	32	400	28	405	26	400						
56			55	480	50	480	36	470	32	460	28	450	28	445				
68					55	550	45	530	36	500	34	490	32	480				
82						580	50	570	42	560	40	550	38	530	32	510	28	510
100							55	620	45	610	43	605	40	600	36	580	32	570
120									55	750	50	740	48	710	40	700	35	690
150													55	920	50	900	42	890
180															55	1060	50	1000

R.C. : Rated ripple current (mA rms) at 105°C , at 20°C, 100KHz

Aluminum Electrolytic Capacitors



LF Series

STANDARD RATINGS

WV uF	420WV																	
	φ8	R.C.	φ9.2	R.C.	φ10	R.C.	φ11	R.C.	φ12	R.C.	φ12.5	R.C.	φ13	R.C.	φ15	R.C.	φ16	R.C.
12	23	130																
15	26	170																
22	35	200	30	180	27	170												
27	42	250	35	240	31	225												
33	50	350	40	340	35	330	26	325										
39			48	400	41	390	30	380	25	370								
47			55	420	48	410	35	405	30	390	28	385	26	370				
56					56	500	40	490	32	480	30	470	30	460	25	450		
68							45	560	38	550	36	545	34	530	30	510		
82							55	620	45	610	42	605	40	590	32	580	30	580
100									55	700	50	695	48	685	36	670	32	665
120											55	750	52	740	45	730	38	720
150														50	860	45	840	
180														55	950	50	830	
220																	55	1010

WV uF	450WV																	
	φ8	R.C.	φ9.2	R.C.	φ10	R.C.	φ11	R.C.	φ12	R.C.	φ12.5	R.C.	φ13	R.C.	φ15	R.C.	φ16	R.C.
12	26	150																
15	32	190	26															
22	42	210	35	205	28	200												
27	50	230	42	220	32	210	26	205										
33	55	350	50	340	36	335	30	330	26	320								
47			55	400	42	380	35	370	30	360	28	360						
56					50	510	40	500	35	480	32	480	32	465				
68					55	600	45	590	40	580	38	580	35	560	30	550		
82							55	650	45	640	45	640	40	620	32	610	30	610
100									55	710	55	710	50	680	40	660	32	650
120													55	800	45	780	38	770
150														55	930	45	900	
180																	55	1020

R.C. : Rated ripple current (mA rms) at 105°C , at20°C,100KHz