

Aluminum Electrolytic Capacitors



SKL Series

- Snap-in Terminal Type.
- Endurance: 105°C 3000 hours.
- Have characteristics of high temperature 105°C, high ripple current and high reliability
- Suitable for filter of industrial equipment, such as automatic machines and computer, etc.
- Rohs compliance.

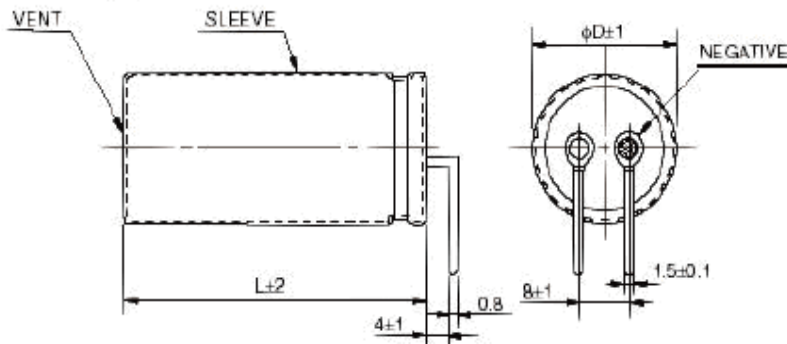


◆ SPECIFICATIONS

Item	Characteristics							
Operating Temperature Range	-25 to +105°C							
Rated Voltage Range	160 to 450 WV.DC							
Surge Voltage	W.V.	160	200	250	350	400	450	at 25°C
	S.V.	200	250	300	400	450	500	
Capacitance Tolerance	- 20%(M) ~ + 20% (at 25°C, 120Hz)							
Leakage Current	I ≤ 3 at 25°C After 5 minutes							
	I: Max. Leakage Current (μA) C: Rated Capacitance (μF) V: Rated voltage (V)							
Dissipation Factor (tanδ)	Rated voltage (V)	160~400			450			at 25°C, 120Hz
	Tanδ(Max)	0.12			0.15			
Low Temperature Characteristics	Impedance ratio at 120Hz							
	Rated voltage (V)	160~250		350~400		450		
	Z-25°C/Z+20°C	3		4		8		
	Z-40°C/Z+20°C	8		-		-		
Endurance	The following specification shall be satisfied when the capacitors are restored to 20°C after subjected DC voltage with the rated ripple current is applied for 2000 hours at 105°C.							
	Capacitance Change	≤ ±20% of the initial value						
	Dissipation Factor	≤ 200% of the initial specified value						
	Leakage Current	≤ initial specified value						
Shelf Life	The following specification shall be satisfied when the capacitors are restored to 20°C after exposing them for 1000hours at 105°C without voltage applied. (Reference JIS C 5102)							
	Capacitance Change	≤ ±20% of the initial value						
	Dissipation Factor	≤ 200% of the initial specified value						
	Leakage Current	≤ 200% of the initial specified value						

◆ DRAWING

FN terminal type



Unit: mm

D	A	B	C	P
22	0.8	1.5	4	8
25	0.8	1.5	4	8

◆ PART NUMBERING SYSTEM

SKL

□□□

□

□□□

□

□□

Series

Rated Cap.

Cap. Tolerance

Rated Voltage

Case Size D

Case Size L

SKL Series

■ FREQUENCY COEFFICIENT OF RATED RIPPLE CURRENT

V	50Hz	120Hz	300Hz	1KHz	10KHz~
160-250	0.8	1	1.17	1.32	1.45
350-450	0.77	1	1.16	1.3	1.45

■ STANDARD RATINGS

WV uF	160				200				250			
	DxL	R.C.	DxL	R.C.	DxL	R.C.	DxL	R.C.	DxL	R.C.	DxL	R.C.
220									22 X 30	0.97		
330	22 X 30	1.10			22 X 35	1.3			22 X 40	1.11		
470	22 X 30	1.28			22 X 40	1.44			22 X 45	1.26	25 X 40	1.61
560	22 X 35	1.45			22 X 45	1.6	25 X 35	1.6	22 X 50	1.41	25 X 45	1.8
680	22 X 40	1.64	25 X 35	1.7	22 X 50	1.75	25 X 40	1.76	22 X 55	1.58	25 X 50	2.03
820	22 X 45	1.85	25 X 40	1.92	22 X 60	2.1	25 X 45	2.1	22 X 60	1.8	25 X 55	2.26
1000	22 X 50	2.10	25 X 45	2.17			25 X 50	2.25			25 X 60	2.5
1200			25 X 60	2.43			25 X 60	2.55				
1500			25 X 60	2.62								

WV uF	350				400				450			
	DxL	R.C.	DxL	R.C.	DxL	R.C.	DxL	R.C.	DxL	R.C.	DxL	R.C.
68									22 X 30	0.5		
82					22 X 30	0.58			22 X 35	0.56	25 X 30	0.55
100	22 X 30	0.62			22 X 35	0.65	25 X 30	0.62	22 X 40	0.64	25 X 35	0.57
120	22 X 35	0.73			22 X 40	0.78	25 X 35	0.75	22 X 45	0.72	25 X 40	0.71
150	22 X 40	0.85	25 X 35	0.85	22 X 45	0.88	25 X 40	0.85	22 X 50	0.79	25 X 45	0.75
180	22 X 45	0.95	25 X 35	0.92	22 X 50	0.98	25 X 45	0.93	22 X 55	0.83	25 X 50	0.84
220	22 X 50	1.08	25 X 40	1.05	22 X 60	1.1	25 X 50	1.05	22 X 60	0.95	25 X 55	0.98
330	22 X 60	1.20	25 X 50	1.29			25 X 60	1			25 X 60	1.3
470			25 X 60	1.41								

R.C. : Rated ripple current (Arms) at 105°C , 120Hz

Custom-made products are available upon request. Please contact our factory sales.