

HU Series HIGH RELIABILITY

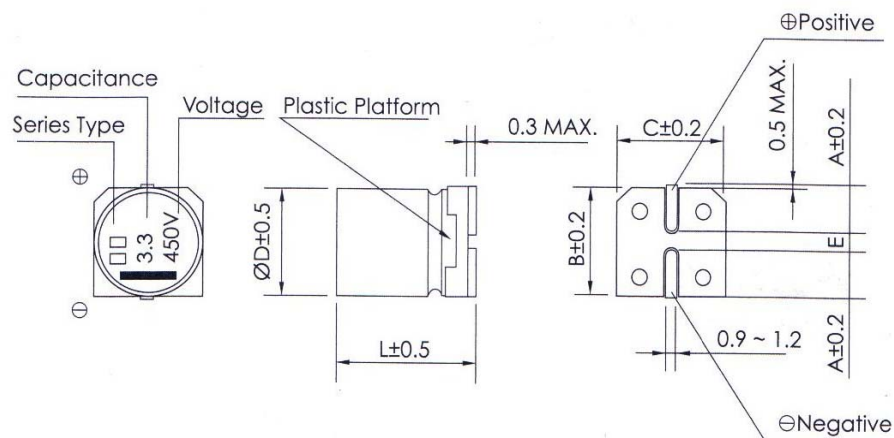


- Operating with temperature range -40~ +105 °C
- Load life of 5000 hours
- Comply with the RoHS directive

■ SPECIFICATIONS

Item	Characteristics			
Operating Temperature Range	-40 ~ +105°C			
Voltage Range	160 ~ 450 V			
Capacitance Range	3.3 ~ 47 μ F			
Capacitance Tolerance	- 20% ~ + 20% at 20°C, 120Hz			
Leakage Current	Leakage current $\leq 0.04CV + 100\mu A$, whichever is greater (after 2 minute application of rated voltage)			
Dissipation Factor(tanδ)	Measurement frequency:120Hz , Temperature:20°C			
	Rated Voltage (V)	160~250	400,500	
	tan δ(max.)	0.15	0.20	
Stability at Low Temperature	Measurement frequency:120Hz			
	Rated Voltage (V)	160~250	400,500	
	Impedance Ratio $ZT/Z20(max.)$	$Z(-25°C) / Z(+20°C)$	3	6
		$Z(-40°C) / Z(+20°C)$	6	10
Load Life	After 5000 hrs.application of the rated voltage at 105°C, they meet the characteristics listed below.			
	Capacitance Change	Within $\pm 20\%$ of initial value		
	Dissipation Factor	200% or less of initial specified value		
	Leakage Current	initial specified value or less		
Shelf Life	After leaving capacitors under no load at 105 °C for 1000 hours,they meet the specified value for load life characteristics listed above.			
Resistance to Soldering Heat	After reflow soldering and restored at room temperature, they meet the characteristics listed below.			
	Capacitance Change	Within $\pm 10\%$ of initial value		
	Dissipation Factor	initial specified value or less		
	Leakage Current	initial specified value or less		
Marking	Black print on the case top.			

□ DRAWING (Unit: mm) 外形圖



- A pressure relief vent is attached to products over $\varnothing D=12.5$
 $\varnothing D=12.5$ 以上產品有緩壓防爆閥

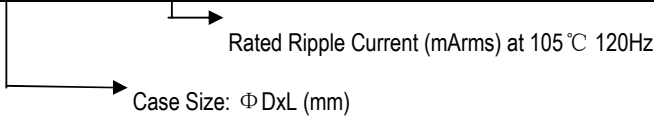
HU Series

●DIMENSIONS(Unit:mm)

(ΦDxL)	12.5×13.5	12.5×16	16×16.5
A	4.7	4.7	5.5
B	13.0	13.0	17.0
C	13.0	13.0	17.0
E±0.2	4.6	4.6	6.7
L	13.5	16.0	16.5

■DIMENSIONS & MAXIMUM PERMISSIBLE RIPPLE CURRENT &IMPEDANCE

		160		200		250		400		450	
		3.3	3R3								
4.7	4R7					12.5×13.5	65	12.5×16	50	12.5×16	50
10	100			12.5×13.5	80	12.5×16	105	16×16.5	85	16×16.5	85
22	220	12.5×13.5	85	12.5×16	110	16×16.5	180				
33	330	12.5×13.5	95	16×16.5	220						
47	470	16×16.5	260								



□FREQUENCY COEFFICIENT OF ALLOWABLE RIPPLE CURRENT

Frequency	50HZ	120HZ	300HZ	1KHZ	10KHZ~
Coefficient	0.80	1.00	1.25	1.40	1.60